

Shear Beam

Type Series FSB31



Features:

- Measuring range from 91 kg to 2268 kg
- Stainless steel construction
- Unique blind loading hole
- Inexpensive price
- Simple installation
- High input resistance
- Protection class IP67

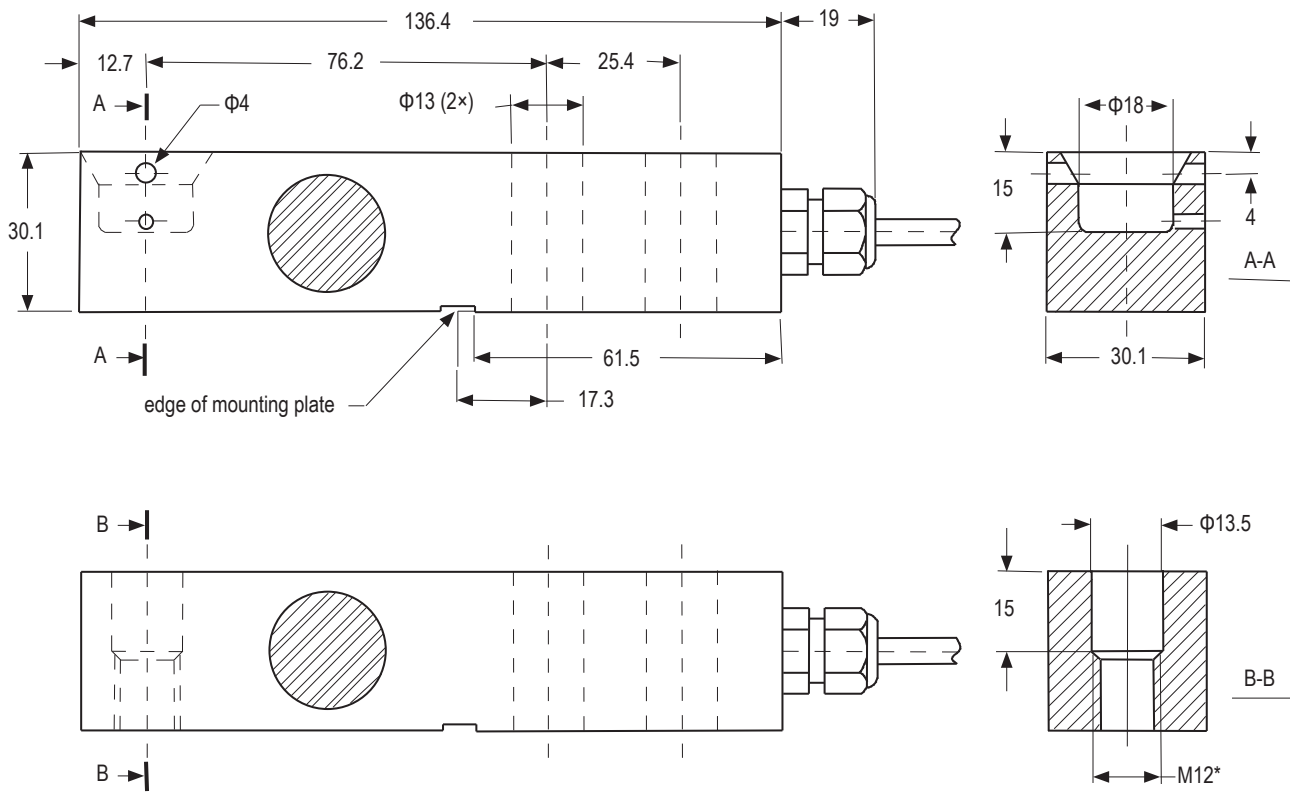
Applications:

- Weight & dosing applications
- Force measurement
- Platform scales
- Production lines
- Measurement and inspection equipment
- Testing and manufacturing plants

Technical data:

Maximum capacity	lb	200 / 500 / 1000 / 2500 / 5000
<i>1 lb = 0.45359 kg</i>	kg	91 / 227 / 454 / 1134 / 2268
Temperature effect on minimum dead load output	% FS /10°C	≤ ± 0.0400 ≤ ± 0.0122
Temperature effect on sensitivity	% FS /10°C	≤ ± 0.0200 ≤ ± 0.0100
Combined error	% FS	≤ ± 0.0500 ≤ ± 0.0200
Non-linearity	% FS	≤ ± 0.0400 ≤ ± 0.0166
Hysteresis	% FS	≤ ± 0.0400 ≤ ± 0.0166
Creep error (30 minutes)	% FS	≤ ± 0.0600 ≤ ± 0.0166
Rated output	mV/V	2 ± 0.1%
Zero balance	%	≤ ± 5
Excitation voltage	% FS	5 ... 15
Input resistance	Ω	1100 ± 50
Output resistance	Ω	1000 ± 2
Insulation resistance (100 V DC)	MΩ	≥ 5000
Safe load limit	% FS	200
Ultimate load	% FS	300
Safe side load	% FS	100
Compensated temperature range	°C	-10 ... +40
Operating temperature range	°C	-20 ... +65
Load cell material		stainless steel 17-4 PH
Sealing		potted
Protection according EN 60 529		IP67

Dimensions:



* Unified thread 1/2-20 UNF is available.

Electrical connections:

